



Perma Tech, Inc.

"Your Single Source for ALL Your Loading Dock Needs"

Perma Curb Angle Sets



FEATURES:

- 3" x 3" x 3/16" back, front and sides
- Rebar anchors on 6 and 8 piece sets
- Front vertical angles or bumper mounting plates
- Concrete rebar anchors are attached on all pieces.
- 1 side is painted with gray primer



OPTIONS:

- In place of 3" x 3" x 3/16" then use a 4" x 4" x 1/4" front curb angle.
- Bumper mounting plates in place of vertical or horizontal curb angles
- Galvanizing (shown bottom photo)

SALES & SERVICE BY:



Perma Tech Inc. | 363 Hamburg Street | Buffalo, New York 14204
P: (800) 362-7325 | F: (716) 854-0774 | www.PermaTechInc.com

PERMA CURB ANGLE SETS

The Curb Angle Set is a six or eight piece 3" x 3" angle set that makes the edging of the pour, of concrete, form more complete with a clean appearance. 3" x 3" x 3/16" angle with rebar anchors on 6 and 8 piece sets.



What is Hot Dip Galvanizing?

Hot Dip Galvanizing is different from all other coating processes because it produces a metallurgical bond between the zinc and the steel which it protects.

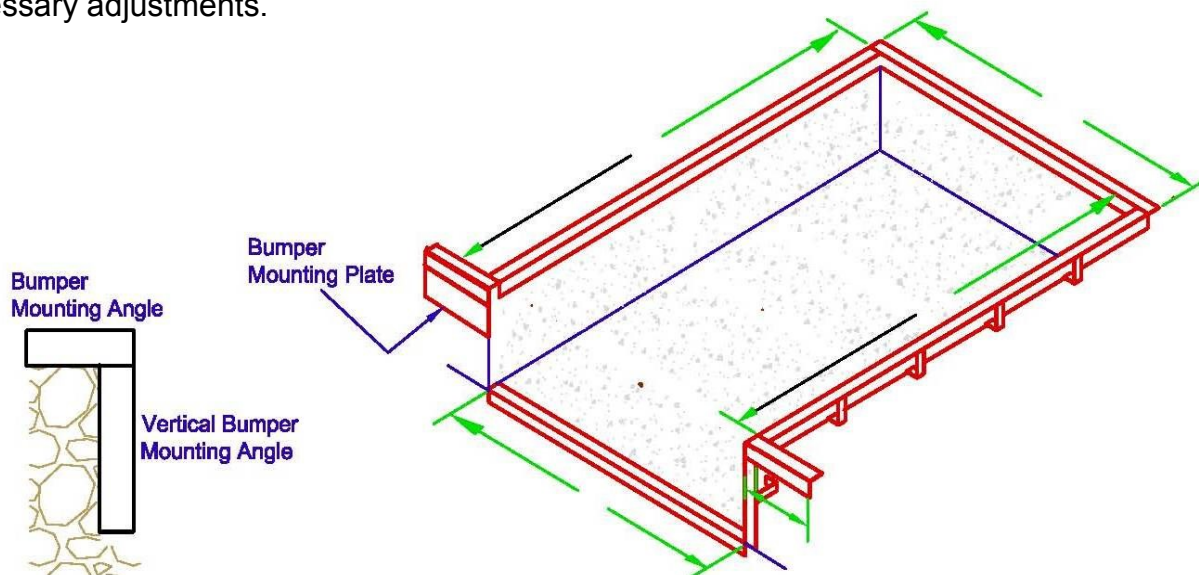
Between the zinc and the steel are two identifiable layers of a created alloy consisting of zinc and iron in varying proportions.

The result is an all but impenetrable integrated surface which prevents corrosion more effectively than any other process available.

Performance varies according to the type of structure and its atmospheric environment. Comparable painted surfaces will require periodic maintenance and repainting during the same timeline.

FOR ALL LEVELER MANUFACTURERS:

The Curb Angle Set is not part of a leveler. The leveler requires separate installation by the manufactures' representatives which insures that the leveler is operating properly and has the necessary adjustments.



Our Mission Statement to Our Customers:

Perma Tech, grounded in superior craftsmanship and committed to the highest level of customer satisfaction, designs and manufactures high quality, innovative loading dock products for our business partners that improve safety, productivity, and energy savings.